



## AR500 STEEL POP-UP TARGET Instruction Manual

Part No: 44900 / 44901

### Champion® AR500 Steel Pop-Up Target Safety Information



**WARNING:** Failure to follow these instructions can result in property damage, serious injury or death from ricochet, bullet fragments or unsafe shooting practices. Read all instructions and safety information before use. Shooting steel targets at any distance is potentially dangerous. Always follow the rules of firearm safety. This product is to be used only by adults or under direct adult supervision.

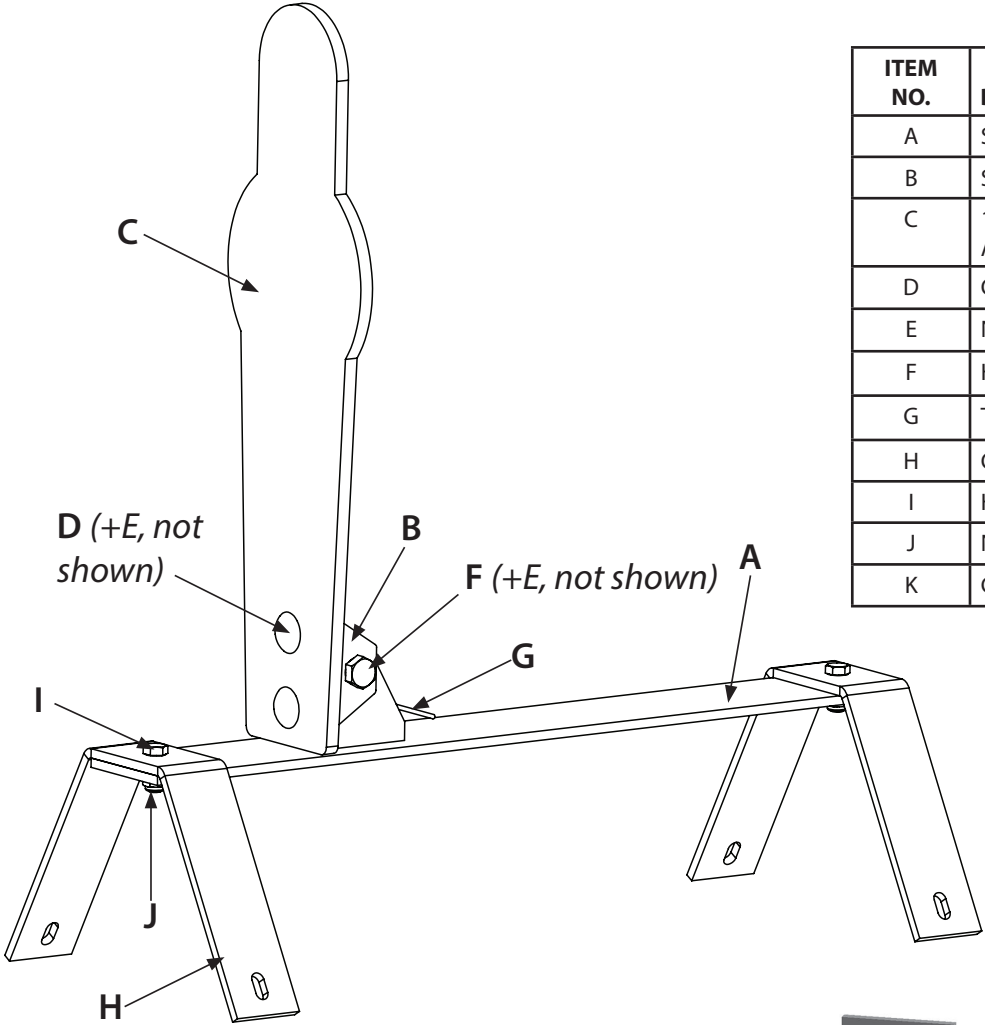
1. Always wear proper eye and ear protection while shooting.
2. All persons must remain behind the shooter when the target is in use.
3. Target must have a proper backstop and never be shot at an angle from the side that might cause a bullet to deflect in an unsafe direction.
4. Target must be placed over a surface that will reduce or eliminate the likelihood of bullet fragments traveling in an unsafe direction.
5. Use target only in an area that will not cause a fire due to hot bullet fragments or sparks caused by bullet impact with target or target mounting system.
6. Target must be mounted with the shooting face of the target angled down toward the ground when in an upright position. Establish a 5-10 degree angle from vertical for the Champion AR500 Steel Pop-Up Target. Shooting the target in any other position can cause bullets or bullet fragments to deflect in an unsafe direction. Prior to each use, inspect and test the target's main spring for excessive damage and assure the target returns to a 5- 10 degree angle..
7. Intended use and minimum safe shooting distances:
  - 3/8" thick targets are intended for use with handgun, rifle, and supersonic rimfire cartridges as well as shotgun birdshot, buckshot and slugs only at appropriate distances described below.
  - 15 yards is the minimum shooting distance when using non-magnum class handgun, supersonic 22LR rimfire, and shotgun birdshot ammunition.
  - 25 yards is the minimum shooting distance when using shotgun buckshot.
  - 50 yards is the minimum shooting distance when using magnum class handgun ammunition, and shotgun slugs.
  - 100 yards is the minimum shooting distance when using standard rifle ammunition under 2,500 fps upon impact and less than 3000 ft/lb of energy upon impact.
  - 250 yards is the minimum shooting distance when using magnum class rifle ammunition under 2,500 fps upon impact and less than 3000 ft/lb of energy upon impact.
8. To extend the life of your target, projectiles must be traveling less than 2500 fps upon impact and deliver less than 3000 ft/lb of energy upon impact while maintaining the above minimum distances. Reference ballistic tables for your cartridge to determine appropriate shooting distances while maintaining the above minimum distances.
9. Steel targets are not rated for use with sub-sonic rimfire ammunition, steel shot, non-lead pellets or BB's, steel core, steel jacketed, bi-metal jacketed, incendiary, armor piercing, tracer, A-frame style, solids, solid brass, or solid copper bullets. Targets are designed for use with lead and copper jacketed lead core bullets only.
10. All targets are considered consumable and will wear as they are shot. It is the responsibility of the user to only shoot the target at safe distances and distances that minimize wear of the target. If you notice unacceptable wear, ensure you are following the above directions for minimum shooting distances. Otherwise extend the shooting distance to the target until wear is minimized.
11. Inspect target before each use and replace target when severely pitted or otherwise damaged. Remember, both sides of the target can be used. A severely pitted or damaged steel target can present a hazardous situation due to unpredictable bullet fragmentation or ricochet.
12. Targets and target stands will accumulate lead residue when shot. Always wash your hands with soap and water after handling targets, target stands, and before eating or drinking.

If you have any questions, please call Champion customer service at (800) 379-1732 between 7 a.m. – 7 p.m. CT Monday through Friday.

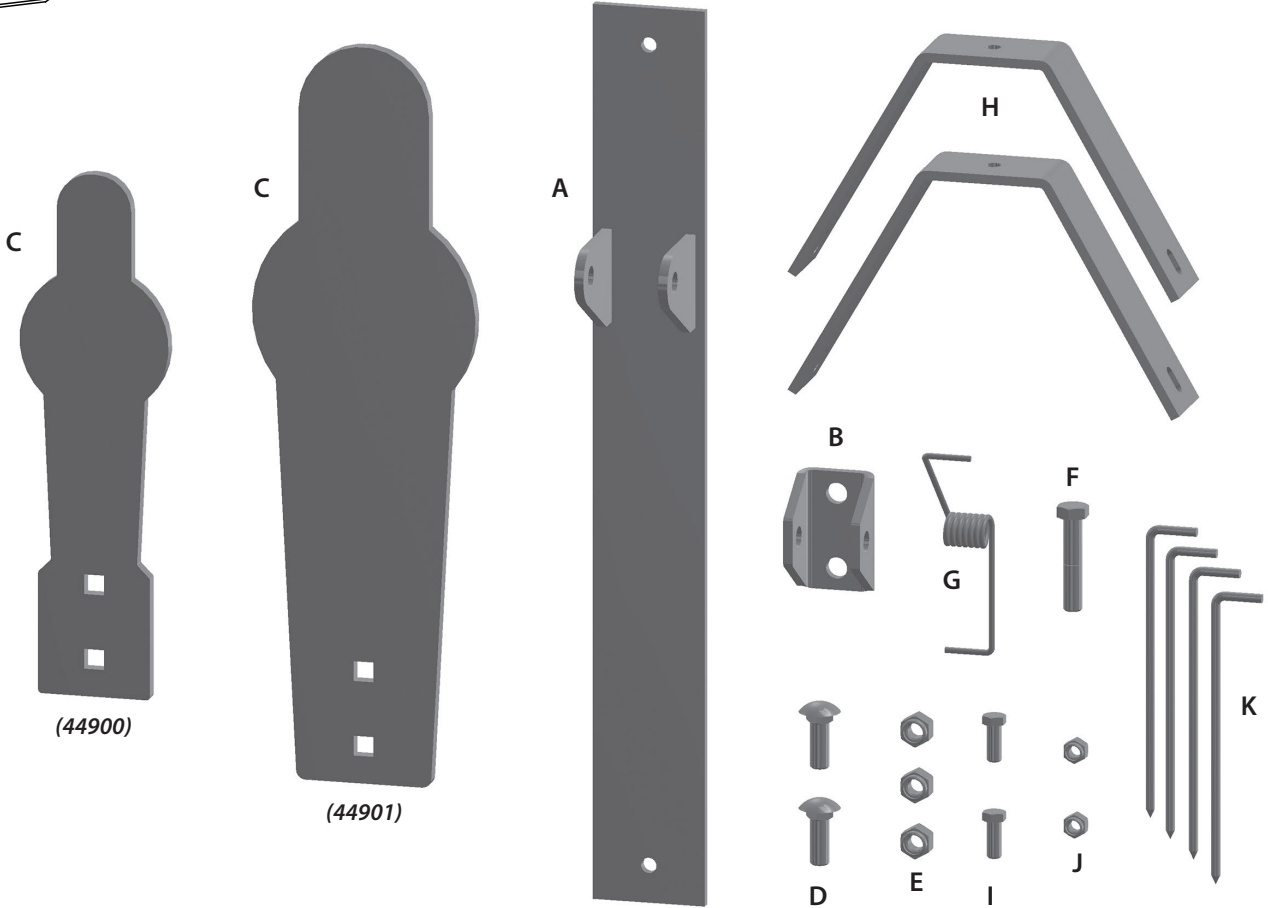


**WARNING: TO AVOID SERIOUS INJURY OR PROPERTY DAMAGE,  
THOROUGHLY READ INSTRUCTIONS BEFORE USING.**

# PARTS LIST



ITEM NO.	DESCRIPTION	QTY.
A	Steel Pop-Up Target Chassis	1
B	Steel Pop-Up Target Mount	1
C	14" x4" (44900) or 20" x6" (44901) AR500 Steel Pop-Up Target	1
D	Carriage Bolt M12x40mm	2
E	Nylon Locking Nut 12mm	3
F	Hex Bolt M12x80mm	1
G	Torsion Spring	1
H	Chassis Leg	2
I	Hex Bolt M10x25mm	2
J	Nylon Locking Nut 10mm	2
K	Ground Stakes	4



# ASSEMBLY DIRECTIONS

## Required Tools:

- (1) 19mm or ¾" socket w/ratchet
- (1) 18mm wrench or adjustable wrench
- (2) 17mm wrench or adjustable wrench

## Assembly Steps:

**STEP 1:** Using two 17mm wrenches or adjustable wrenches, bolt Chassis Legs (H) to AR500 Steel Pop-Up Target Chassis (A) with two Hex Bolts M10x25mm (I) and two Nylon Locking Nuts 10mm (J) as shown.

**STEP 2:** Using one 19mm or ¾" socket w/ratchet, bolt Pop Up Target Mount (B) to AR500 Steel Pop-Up Target (C) with two Carriage Bolts M12x40mm (D) and two Nylon Locking Nuts 12mm (E) as shown.

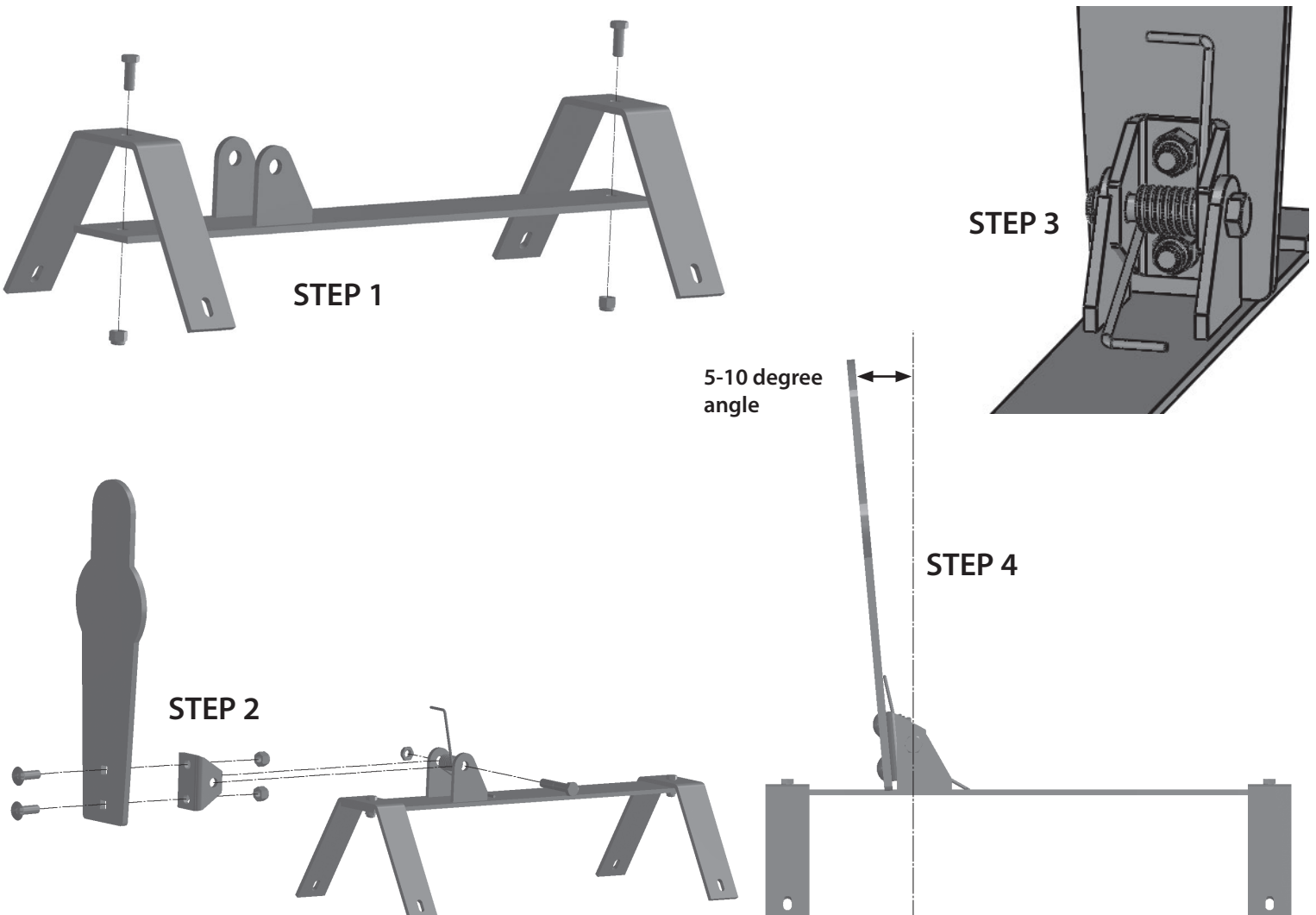
**STEP 3:** Align previous assembly with bracket on Pop Up Target Chassis as shown. Insert Hex Bolt M12x80mm (F) through AR500 Steel Pop-Up Target Chassis, previous assembly and Torsion Spring (G). Ensure Torsion Spring is oriented as shown, otherwise the Torsion Spring may be damaged and the target system may fail to function properly. Using one 18mm wrench or adjustable wrench and one 19mm or ¾" socket w/ratchet, tighten Hex Bolt M12x80mm and Nylon Locking Nut 12mm ensuring the target can still move freely.



**WARNING:** Never shoot the target unless it has returned to a position where the shooting face is angled down toward the ground approximately 5-10 degrees from the vertical. Shooting the target in any other position can cause bullets or bullet fragments to deflect in an unsafe direction.

**STEP 4:** Ensure the target is mounted with the shooting face angled down toward the ground approximately 5-10 degrees from the vertical. If adjustment is required, loosen nuts and bolts from step 2, manipulate target into desired position and re-tighten nuts and bolts.

**STEP 5:** After selecting a proper and safe shooting location for the target, drive ground stakes (K) through all four legs to secure target in place.



**Troubleshooting:**

**Target does not return to an upright position.**

- Ensure torsion spring is installed correctly and not damaged.
- Ensure Hex Bolt M12x80mm and Nylon Locking Nut 12mm from Step 3 are not too tight preventing proper movement.



## WARRANTY CERTIFICATE

Congratulations on the purchase of your new **CHAMPION POP-UP TARGET BASE**. Your new **POP-UP TARGET BASE** is warranted to be free from defects in material or workmanship for a period of six (6) months from the date of purchase. This warranty is extended only to the original consumer purchaser. Should you believe that your **CHAMPION POP-UP TARGET BASE** is defective in material or workmanship, you should contact the **CHAMPION TRAPS & TARGETS** Customer Service Department via phone at 800-379-1732. In the event a warranty repair is required, all parts will be provided at no charge. THIS WARRANTY DOES NOT COVER DEFECTS OR DAMAGE RESULTING FROM: CARELESSNESS, MISUSE, IMPROPER INSTALLATION, MODIFICATION, OR NORMAL WEAR AND TEAR.

RETAIN THIS WARRANTY CERTIFICATE FOR FUTURE REFERENCE. THE IMPLIED WARRANTIES OF MERCHANTABILITY AND FITNESS FOR A PARTICULAR PURPOSE ARE LIMITED TO THE DURATION OF THIS LIMITED WARRANTY.

**CHAMPION TRAPS AND TARGETS** IS NOT LIABLE FOR DAMAGES IN EXCESS OF THE PURCHASE PRICE OF THE PRODUCT AND UNDER NO CIRCUMSTANCES SHALL **CHAMPION TRAPS AND TARGETS** BE LIABLE FOR CONSEQUENTIAL OR INCIDENTAL DAMAGES. HOWEVER, SOME STATES DO NOT ALLOW LIMITATIONS ON INCIDENTAL, OR CONSEQUENTIAL DAMAGES, SO THE ABOVE LIMITATION OR EXCLUSION MAY NOT APPLY TO YOU.

The above warranty provides the sole and exclusive warranty available to the customer in the event of a defect in material or workmanship in the **CHAMPION POP-UP TARGET BASE**. This warranty gives you specific legal rights, and you may also have other rights which vary from State to State.

**CHAMPION TRAPS AND TARGETS**  
**1 VISTA WAY**  
**ANOKA, MN 55303**  
**1-800-379-1732**  
**[www.championtarget.com](http://www.championtarget.com)**  
**Email : [tech.expert@vistaoutdoor.com](mailto:tech.expert@vistaoutdoor.com)**