

CHAMPION LIMITED WARRANTY

Your Champion brand product is warranted to be free from defects in materials and workmanship for a period of one (1) year from the date of purchase. This warranty is extended only to the original consumer purchaser. During the warranty period, we will (at our sole option) repair, replace or refund the purchase price of any defective part or product covered by this warranty when it is returned by the original owner with proof of purchase and an assigned Return Goods Authorization number from the factory. The repair, replacement or refund will be without charge except for reasonable shipping, handling and insurance charges.

In the unlikely event that you experience a problem with your Champion product, call Customer Service at 1-800-379-1732 to receive instructions and a Return Goods Authorization number.

This warranty does not cover product or parts damaged or rendered defective due to accident, misuse, abuse, modification, neglect, improper voltage, water damage, improper or unauthorized repair, improper assembly, failure to follow operating instructions, or damage due to normal wear and tear.

ANY WARRANTIES IMPLIED BY LAW SHALL IN NO EVENT EXTEND BEYOND DURATION OF THIS EXPRESS WARRANTY. Some states do not allow limitations on how long an implied warranty lasts, so the above limitation may not apply to you. REPAIR OR REPLACEMENT AS PROVIDED HEREIN IS YOUR EXCLUSIVE REMEDY FOR ANY DEFECTIVE PRODUCT. IN NO EVENT SHALL WE BE LIABLE FOR ANY SPECIAL, INCIDENTAL OR CONSEQUENTIAL DAMAGES OF ANY KIND ARISING OUT OF THE PURCHASE OR USE OF THIS PRODUCT, WHETHER BASED UPON CONTRACT, TORT, STATUTE OR OTHERWISE. Some states do not allow the exclusion or limitation of incidental or consequential damages, so the above limitation or exclusion may not apply to you. This warranty gives you specific legal rights, and you may also have other rights which vary from state to state.

CONTACT US

Champion
1 Vista Way
Anoka, MN 55303
1-800-379-1732
www.championtarget.com
Email: tech.expert@vistaoutdoor.com

CT750
PGIM007CH

CHAMPION • ANOKA, MN 55303
www.championtarget.com • Made in U.S.A.

CHAMPION® RIFLE STOCKS

Owner's Manual

Lee-Enfield No. 4 Mark I

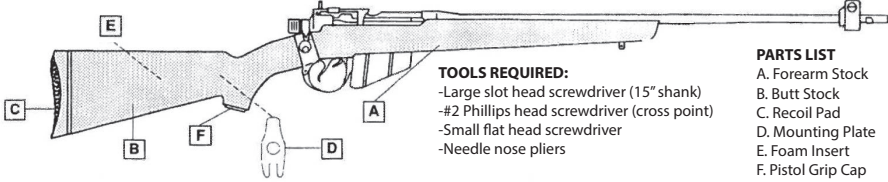


CHAMPION®

CHAMPION • ANOKA, MN 55303
www.championtarget.com • Made in U.S.A.

Lee-Enfield No. 4 Mark I

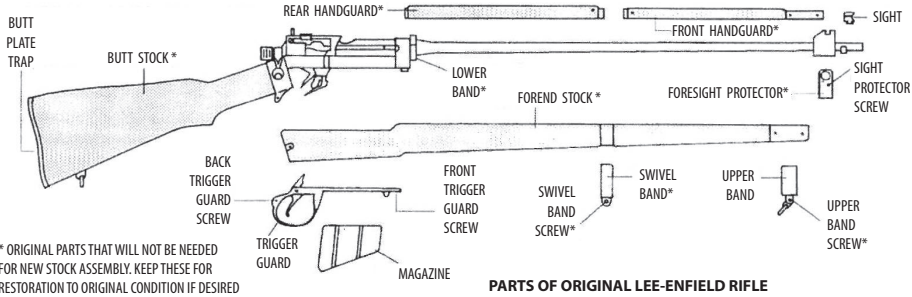
ASSEMBLED WITH NEW CHAMPION STOCK



- PARTS LIST**
- A. Forearm Stock
 - B. Butt Stock
 - C. Recoil Pad
 - D. Mounting Plate
 - E. Foam Insert
 - F. Pistol Grip Cap

TOOLS REQUIRED:

- Large slot head screwdriver (15" shank)
- #2 Phillips head screwdriver (cross point)
- Small flat head screwdriver
- Needle nose pliers



* ORIGINAL PARTS THAT WILL NOT BE NEEDED FOR NEW STOCK ASSEMBLY. KEEP THESE FOR RESTORATION TO ORIGINAL CONDITION IF DESIRED

PARTS OF ORIGINAL LEE-ENFIELD RIFLE

IMPORTANT: Please read all safety precautions and instructions thoroughly BEFORE you disassemble firearm. Study the drawings to become familiar with the parts of the firearm.

WARNING: UNLOAD FIREARM BEFORE DISASSEMBLY & INSTALLATION TO PREVENT SHOOTING ACCIDENTS

DISASSEMBLY – ORIGINAL WOOD STOCK

STEP 1: REMOVE MAGAZINE. Press up on magazine catch to release.

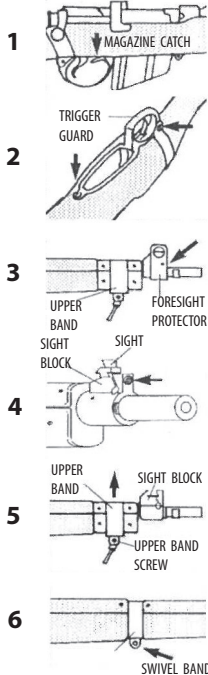
STEP 2: REMOVE TRIGGER GUARD. Unscrew front & back screws. Lift out trigger guard. Keep screws and trigger guard together for re-assembly later.

STEP 3: REMOVE FORESIGHT PROTECTOR. Completely remove foresight protector screw. Slide foresight protector off of barrel.

STEP 4: REMOVE SIGHT. Loosen sight block using needle nose pliers and slide sight out of block.

STEP 5: REMOVE UPPER BAND. Remove upper band screw and slide band off over sight block.

STEP 6: REMOVE SWIVEL BAND. Remove swivel band screw and slide band off over sight block.



STEP 7: REMOVE HANDGUARDS. Lift front and rear handguards from barrel.

STEP 8: REMOVE FOREND STOCK. Firmly grip stock at rear, near bolt, and swing out, away from magazine area.

STEP 9: REMOVE LOWER BAND. Slide band forward along barrel and over sight block.

STEP 10: REMOVE BUTT STOCK. Open buttplate trap, and with a piece of bent wire, fish out leather stock bolt wad that covers top of stock bolt.

Use large screwdriver, apply downward pressure, and turn out bolt. A small quantity of Outers Tri-Lube or penetrating oil may aid this operation as bolts are often rusted in.

ASSEMBLY – CHAMPION STOCK

STEP 11: ATTACH FOREND STOCK. Place rear end of stock over trigger mechanism (1). Swing stock up and onto barrel (2). This will be a snug fit – use some force to snap stock into place.

STEP 12: INSTALL TRIGGER GUARD. Push trigger forward and tilt trigger guard up slightly to nest in place. Attach back trigger guard screw first and then front trigger guard screw.

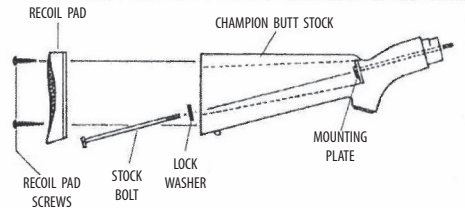
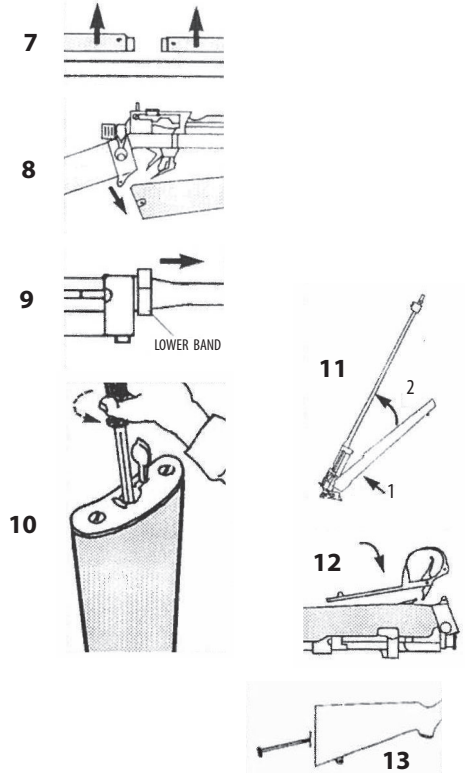
STEP 13: ATTACH CHAMPION BUTT STOCK. Slide butt stock onto rear of action. Insert stock bolt and lock washer. Tighten securely with large screwdriver.

IMPORTANT: Make sure mounting plate is in place before attaching bolt. Be sure stock bolt lock washer is removed from old butt stock and used on stock bolt for Champion assembly.

STEP 14: ATTACH RECOIL PAD. First, push foam insert into butt stock. Next, use two recoil screws that are already positioned in recoil pad and screw into butt stock using a Phillips screwdriver.

STEP 15: REINSTALL SIGHT. Slide sight into sight block and tighten screw in place. Firearm will need to be sighted in again to regain accuracy.

WARNING: Dry-cycle the action and shoulder the weapon several times to ensure that all new Champion equipment has been installed securely in place before loading or firing the weapon.



IMPORTANT: Make sure mounting plate is in place before attaching bolt. Be sure stock bolt lock washer is removed from old butt stock and used on stock bolt for Champion assembly.

